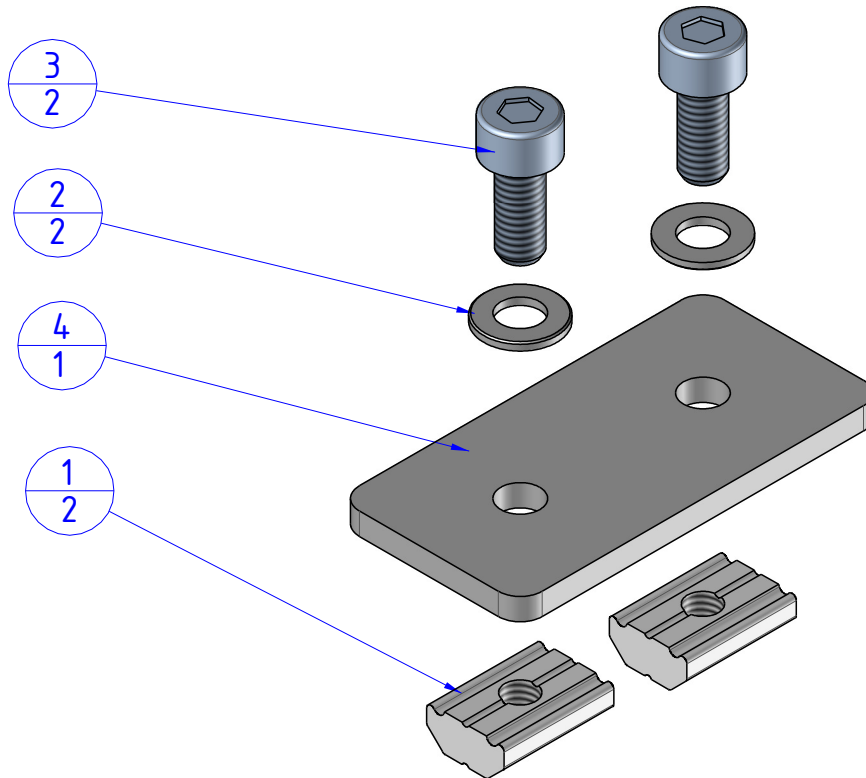
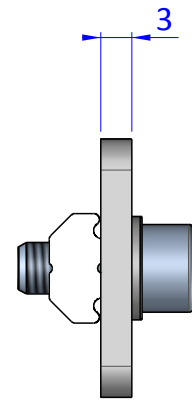
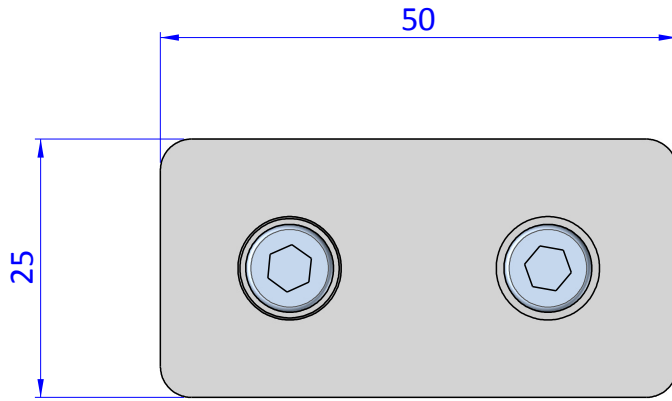


Item	Name	Q.ty
1	CA.GWP.5U	2
2	R.5	2
3	V.TCE5x12	2
4	VBG.X.25.50	1



THE PROPERTY OF THE DRAWING IS ESTABLISHED BY LAW. IT IS FORBIDDEN TO PRODUCE OR SHOW IT TO THIRD PART. WITHOUT A WRITTEN AGREEMENT.

<b>Format</b> A4  <b>UNI 936-76</b>					DESIGNED FROM <b>FPSERVICES</b>	REVIEW <b>A</b>
	GENERAL TOLERANCE UNI - ISO 2768 CLASSE f		DESCRIPTION  <b>CA.VBG.X.25.50</b>		DATE <b>30/04/2016</b>	WEIGHT <b>0,047kg</b>
					CODE <b>CA.VBG.X.25.50</b>	